

PRE1459

# Mitutoyo



**EACAMPOS**  
Metrologia e Sistemas, S.A.

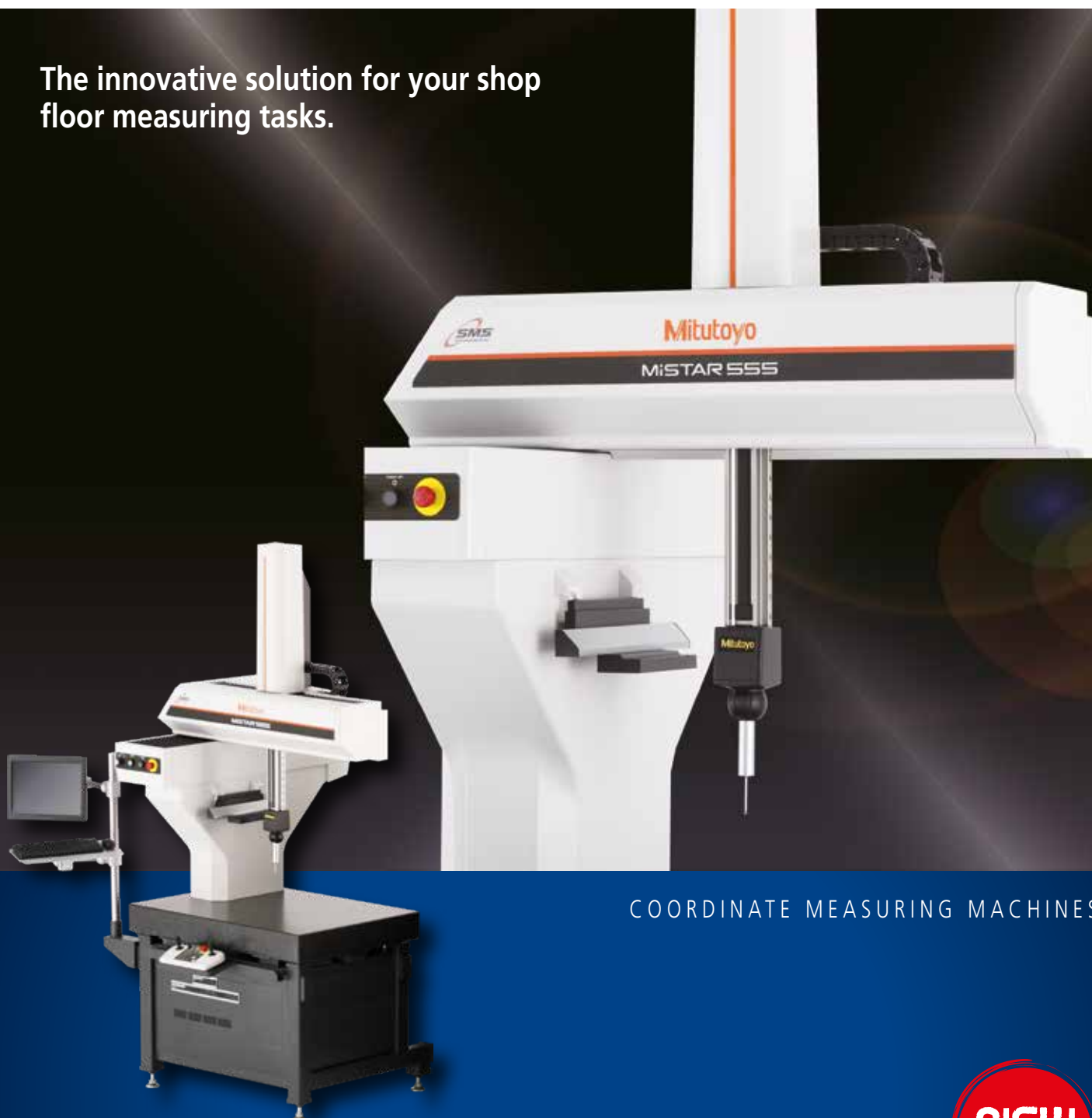
Porto R. Senhora da Penha, 110-4460-423 Senhora da Hora - Tel: +351 220 909 436  
Lisboa Avenida Quinta Grande, 87B - 2610-158 Amadora - Tel: +351 210 949 532

[info@metrologia.pt](mailto:info@metrologia.pt)

[metrologia.pt](http://metrologia.pt)

## MiSTAR 555

The innovative solution for your shop floor measuring tasks.



COORDINATE MEASURING MACHINES



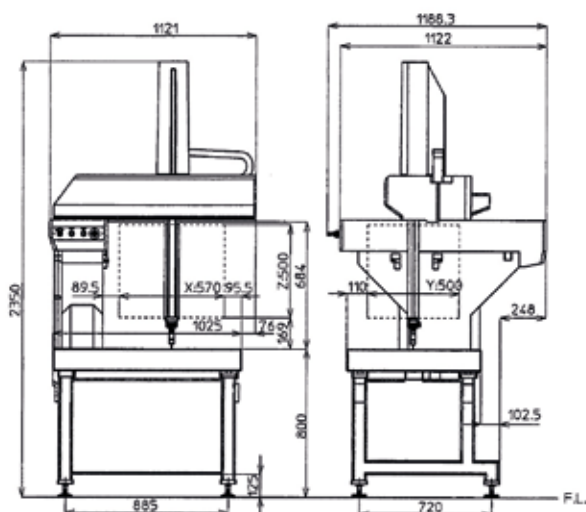
High resistance to rough environment meets a small footprint:  
**Mitutoyo MiSTAR 555 – the new compact shop floor  
 CNC coordinate measuring solution**

Ensure and improve quality: Inspecting 3D features during the manufacturing process minimises reaction time for machining adjustments.

The new Mitutoyo MiSTAR 555, designed for production environments, ideally combines automated measurement with flexibility, reliability and easy operation.

Prepared measurement programs are executed after the part is mounted on a fixture. The new optional manual loading system ensures correct placement.

The MiSTAR 555 comes with touch trigger or scanning tactile probes, including stylus changer rack. MCOSMOS, the unmatched-performance Mitutoyo software suite, offers full inspection functionality – from the simplest to the most complex geometries.



Specifications	MiSTAR 555
Measuring range (XYZ)	570 x 500 x 500 mm
*Accuracy, $E_{0, MPE}$	from $(2.2+3L/1000) \mu m$
Temperature range	10 – 40°C
Max. drive speed (3D)	606 mm/s
Max. acceleration (3D)	2695 mm/s <sup>2</sup>
Max. loading mass	120 kg
Machine mass including controller and stand	655 kg

\* With SP25M



Mitutoyo Europe GmbH

Borsigstraße 8-10  
 41469 Neuss Germany

Tel. +49 (0) 2137-102-0  
 Fax +49 (0) 2137-102-351

info@mitutoyo.eu  
 www.mitutoyo.eu



Find additional product literature  
 and our product catalogue

www.mitutoyo.eu

**Note:** Product illustrations are without obligation. Product descriptions, in particular any and all technical specifications, are only binding when explicitly agreed upon.

MITUTOYO and MICAT are either registered trademarks or trademarks of Mitutoyo Corp. in Japan and/or other countries/regions.

Other product, company and brand names mentioned herein are for identification purposes only and may be the trademarks of their respective holders.

Coordinate Measuring Machines

Vision Measuring Systems

Form Measurement

Optical Measuring

Sensor Systems

Test Equipment  
 and Seismometers

Digital Scale and DRO Systems

Small Tool Instruments  
 and Data Management